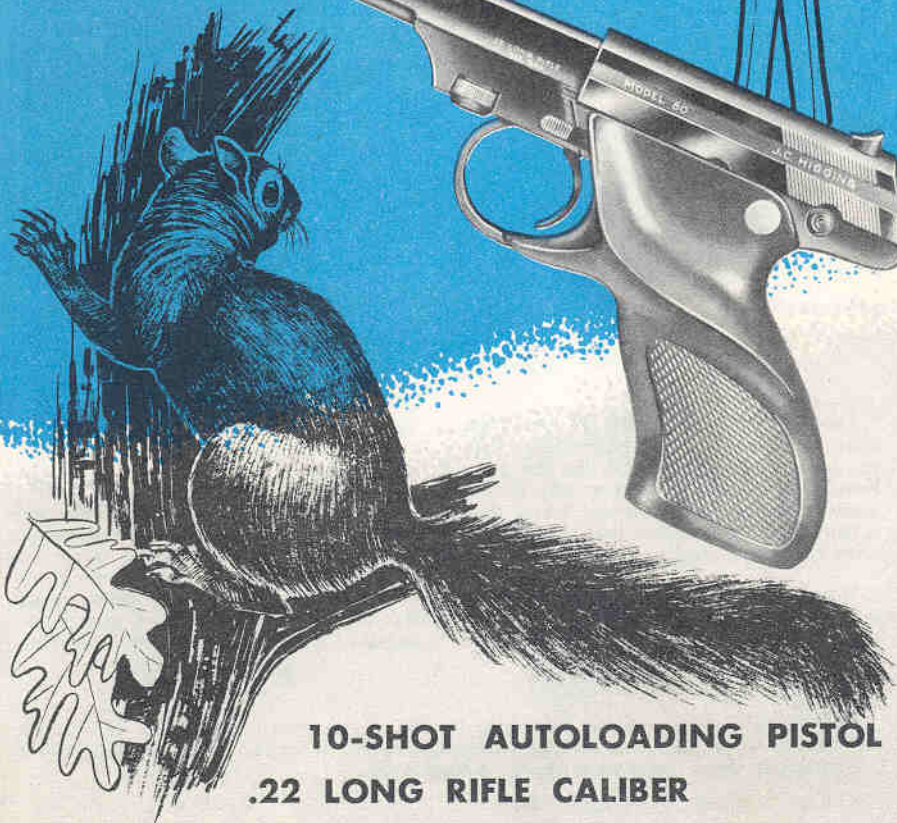
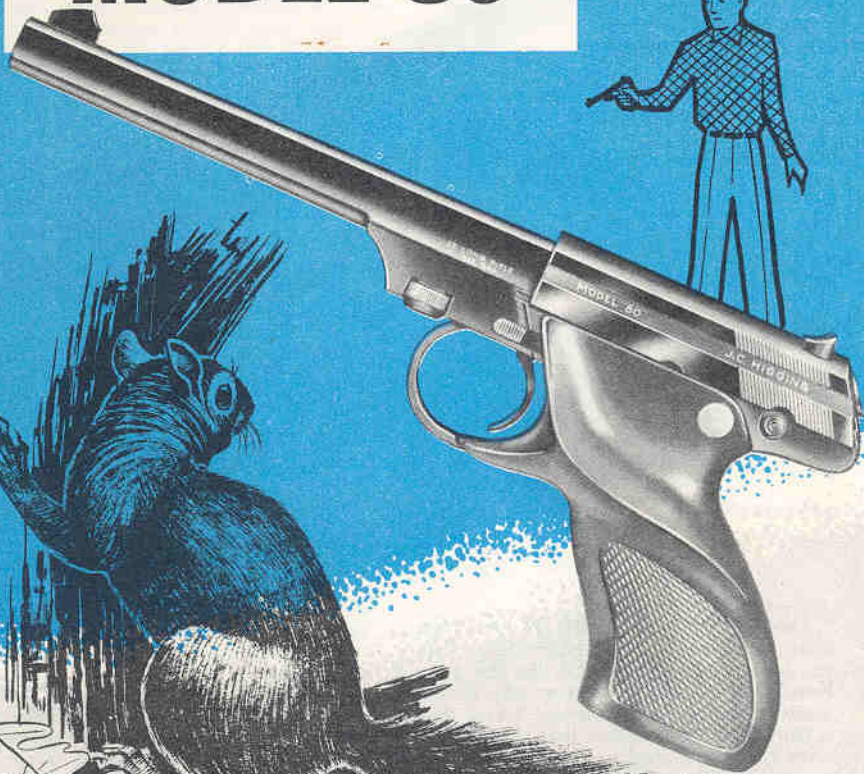


*J. Higgins*

**MODEL 80**



**10-SHOT AUTOLOADING PISTOL  
.22 LONG RIFLE CALIBER**

# MODEL 80



The J. C. Higgins Model 80 gives you more handgun value for your money than any other autoloading pistol you can buy. From its sleek comfort-contour grip to the muzzle of its gracefully tapered barrel, this is truly a quality handgun that will delight every sportsman, plinker and target shooter.

Your Model 80 uses hi-speed or regular ammunition in .22 long rifle caliber. The magazine holds ten cartridges. Action is

lightning-fast, firing just as fast as you can pull the trigger.

Other outstanding features include push-button magazine release, non-slip positive trigger pull, visible cross-bolt safety and striker, adjustable rear sight, choice of 6½- or 4½-inch barrels—even a silvery medallion on which you may have your initials engraved to personalize your own handgun.

**IMPORTANT:** Before firing this pistol, be sure to clean barrel thoroughly of grease or other obstructions. This is a safe gun. Handle it safely. Never point it at anything you do not intend to shoot. Treat *every* gun as a loaded gun.

## CLEANING AND LUBRICATING

If you use J. C. Higgins ammunition this will practically eliminate any need for cleaning the barrel. However, should any powder residue or dirt accumulate it can easily be removed.

To clean barrel, remove magazine by pressing magazine catch (see Figure 1), permitting magazine to slide out of butt. Push in safety button on left side of pistol and pull slide all the way back. Now push safety button all the way to the left and slide will remain locked open (see Figure 2). Push a patch, moistened with a good solvent, through the barrel from the muzzle end. Soak a brass brush made for .22-caliber firearms in solvent and push it through the length of the bore several times. Push clean patches through the bore in the same manner until the last patch comes out clean. Then push through a lightly oiled patch.

Use a tooth brush soaked in solvent to remove any dirt or fouling from other op-

erating parts. Wipe parts dry and oil lightly.

A J. C. Higgins Pistol-Cleaning Kit, especially made for .22-caliber handguns, is available at your Sears store or from the catalog. This low-cost kit is a fine investment and contains everything you need to keep your Model 80 properly cleaned and lubricated. Another valuable item of equipment is a J. C. Higgins Silicone Cloth which will help to protect your gun from rust.

Your Model 80 is treated with new siliconized and polarized oil. This exclusive, patented process oil gets down into the pores of the steel and protects against perspiration and other corrosive elements which cause rust. This oil makes J. C. Higgins guns the most rust resistant of any guns you can buy and gives the best lubrication of any oil tested. It puts an attractive and protective sheen on the grips, too.

## OPERATING INSTRUCTIONS

**TO LOAD MAGAZINE:** Remove magazine by pressing magazine catch (see Figure 1), permitting magazine to slide out of butt. Move the button on the side of the magazine downward gradually as you insert .22 long rifle cartridges one at a time (see Figure 3). Be sure to insert cartridges so that the lead end is at the front of the clip. When magazine is full, slide it back into butt until it clicks into place.

**TO LOAD CHAMBER:** Push safety all the way to right, to "off" position. With loaded magazine in place, pull slide to rear and release it. As slide moves forward it will strip one cartridge from magazine and feed it into the chamber. Chamber is loaded and red dot now visible on striker at rear of slide indicates that gun is cocked and ready to fire.

**TO FIRE:** With safety in "off" position, pushed all the way to the right with red band showing on right side, gun will fire one shot each time the trigger is pulled. Each time the gun is fired the force of the recoil extracts and ejects the empty shell case, after the bullet has left the barrel,

by pushing the slide to the rear. Slide automatically returns forward, carrying with it the next cartridge to be fired, loading this cartridge into the chamber and cocking the pistol.

**TO UNLOAD:** Remove magazine from gun with magazine catch. Then pull back slide all the way to extract and eject any cartridge that may be in the chamber. When unloading any autoloader, be sure always to unload the chamber *after* you have removed the magazine.

**SIGHTING:** This pistol has been targeted at the factory and the sights adjusted for a 50-foot range. It will probably be found to be sighted in satisfactorily for all targets within normal pistol range.

Correct sight alignment at the instant of firing is very important in handgun shooting. Because of the short distance between the front and rear sights, even small errors in lining up the sights when the trigger is squeezed can put the bullet inches—*even feet!*—away from the target.

If your Model 80 does not seem to hit where you point, do not adjust the sights

until you have thoroughly checked your holding and sighting procedure.

It is quite possible to do accurate pistol shooting with one eye closed or with both eyes open. However, most top pistol shots shoot with both eyes open and feel that this makes accurate shooting easier and faster.

If you shoot with both eyes open, make certain that you are looking down the barrel with your "master" eye or "sighting" eye. This is the right eye in the case of most people. (If you do not know which is your sighting eye, make a circle of your index finger and thumb, with your arm extended, and look through this at a distant object with both eyes open. Then close one eye. If you still see the same object through the loop of your finger and thumb, the eye remaining open is your sighting eye. If your thumb and finger appear to have moved to one side with respect to the distant object, your sighting eye is the eye you closed.)

Figure 5 shows the way the sights should be aligned at the instant the pistol goes off, if a perfect shot is to be scored.

Figures 6, 7 and 8 show typical sighting errors. Notice how the point of impact is affected by incorrect sight alignment.

The following hints will help you to align

your sights correctly and shoot accurately.

Stand in a comfortable, relaxed position.

Hold your pistol firmly, but not tensely, and try to hold it the same for each shot.

Don't worry if your arm wavers—everybody's does. But keep your sights properly aligned and keep the sights as close to the proper aiming spot as you can, especially when squeezing the trigger.

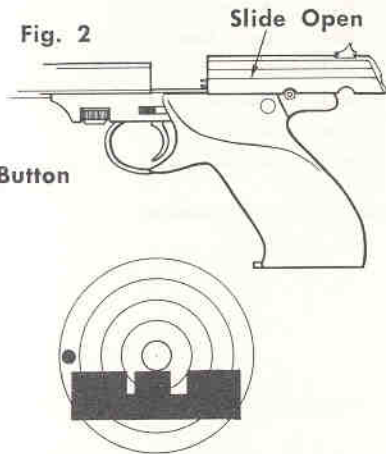
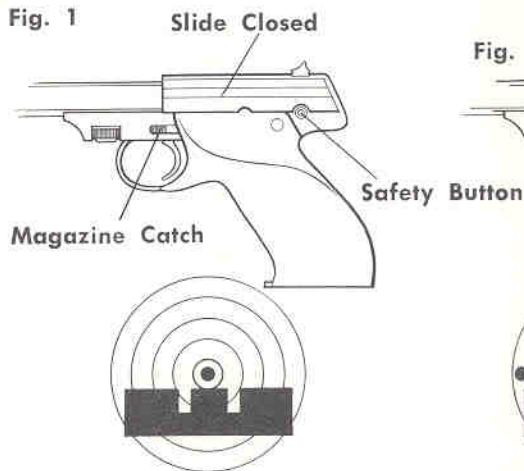
Rest the ball of your first finger on the trigger.

Squeeze the trigger straight back slowly—don't jerk it, and don't encircle it with your finger. Squeeze only when your sight picture is dead center.

Practice.

You will find it helpful to practice your trigger pull with the pistol cocked but without a *live* cartridge in the chamber. This is called "dry firing." To prevent possible damage to firing pin, it is a good practice to insert an empty shell in the chamber when dry firing.

The front sight is staked in position and should not be moved. If the gun is found to shoot consistently left or right, use a soft wooden wedge and a hammer to move the rear sight very slightly in the same direction



in which you wish to move the bullet impact point. Move the rear sight only very slightly and observe the results by firing several carefully aimed sighting shots as a group.

## DISASSEMBLY

First, remove magazine and unload chamber. Never attempt to take apart any gun unless you are first certain that it is empty. **TO REMOVE BARREL:** Pull slide all the way to rear and lock it open by pushing safety button all the way to left. Unscrew barrel nut, allowing barrel to lift out of its seat in pistol frame. (see Figure 4). Slots in barrel nut permit the use of a coin

## ASSEMBLY

**TO ASSEMBLE SLIDE:** Replace slide spring (the larger of the two coil springs) in slide. With slide upside down, insert striker in slide point first and with flat side up. Then slide striker spring (the other coil spring) over striker, with striker inside this spring. Replace slide on frame and pull all the way to rear. Then push

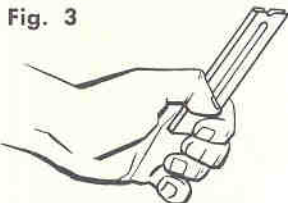
Do not attempt any sight adjustment until you have become entirely familiar with your Model 80 and have fired it a reasonable number of times with sights correctly aligned.

as a wrench to loosen and tighten the nut. **TO REMOVE SLIDE:** With barrel removed, grasp slide firmly with left hand and move safety to "off" position. Slide will then move forward under spring pressure and may be slid off front of frame. Cup hand over striker and pull trigger of gun and slide spring, striker and striker spring will be released into hand.

safety button all the way to left to lock slide open.

**TO ASSEMBLE BARREL:** Align barrel with frame and tighten barrel nut, using coin to make certain barrel is firmly seated. Release slide by moving safety to "off" position.

Fig. 3



Loading Magazine

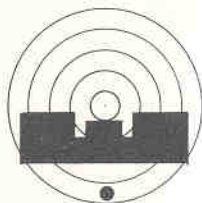


Fig. 7  
Shot Low

Fig. 4  
Removing  
Barrel

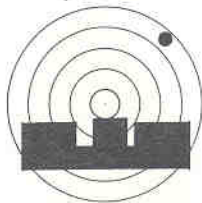
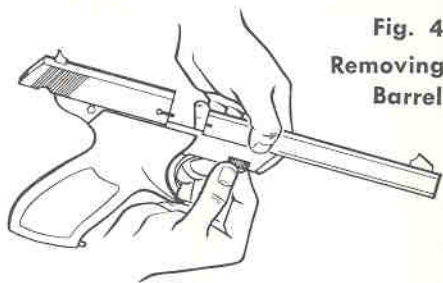


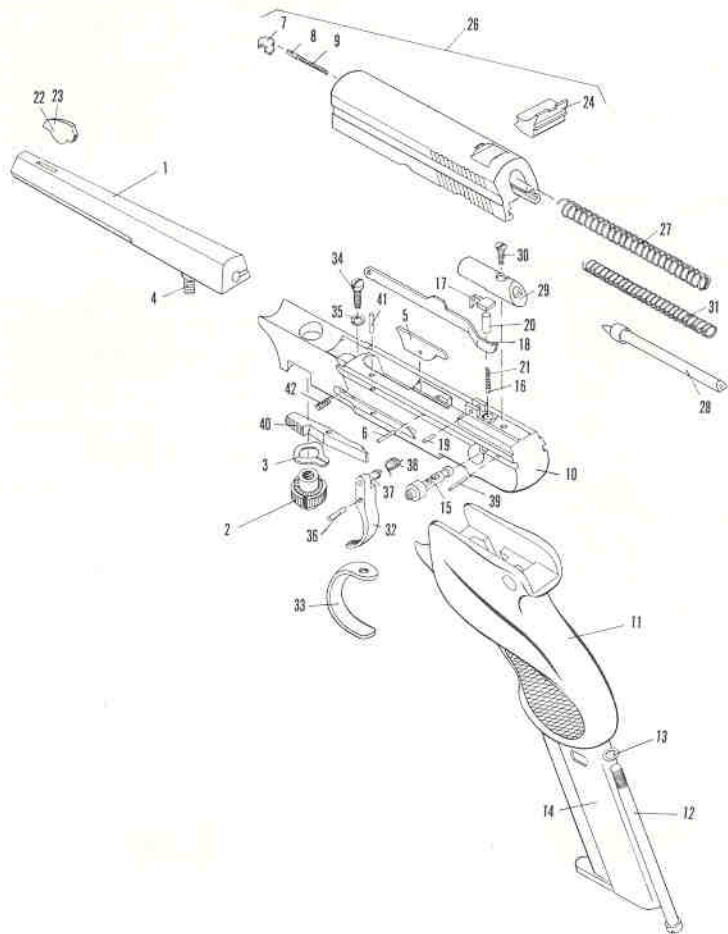
Fig. 8  
Shot High and Right

# List of Parts and Assemblies

J. C. Higgins Model 80 Pistol, Model Number 583.800. Be sure to mention Model Number 583.800 when ordering parts.

WHERE TO ORDER REPAIR PARTS: Any Sears retail or mail-order store will be happy to handle your order.

HOW TO ORDER: Specify Model 583.800. Also specify Reference Number, Part Number and Part Name. Trigger pull must be adjusted by skilled gunsmiths in Sears mail-order houses or by other competent gunsmiths.



REF. NO.	PART NO.	PART NAME	REF. NO.	PART NO.	PART NAME
1	3064	Barrel, 4½"	21	3047	Sear Spring
1	3065	Barrel, 6½"	22	3061	Sight, Front, Short Barrel
2	3052	Barrel Nut	23	3062	Sight, Front, Long Barrel
3	3051	Barrel Nut Lockwasher	24	1245	Sight, Rear
4	3025	Barrel Set Screw	26	3068	*Slide Assembly (includes Rear Sight, Extractor, etc.)
5	3027	Ejector	27	3033	Slide Spring
6	3024	Ejector Pin	28	3014	Striker
7	3008	Extractor	29	3016	*Striker Sleeve
8	3003	Extractor Plunger	30	3026	Striker Sleeve Screw
9	1005	Extractor Spring	31	3034	Striker Spring
10	3055	Frame (Not sold separately)	32	3011	Trigger
11	3070	Grip (with Medallion)	33	3063	Trigger Guard
12	3007	Grip Bolt	34	3050	Trigger Guard Screw
13	3032	Grip Bolt Washer	35	3020	Trigger Guard Screw Lockwasher
14	3073	Magazine Assembly	36	3004	Trigger Pin
15	3056	* Safety	37	3005	Trigger Pull Pin
16	3001	Safety Detent	38	3021	Trigger Spring
17	3015	Sear	39	3077	Striker Sleeve Screw Lock
18	3029	* Sear Bar	40	3013	Magazine Catch
19	3000	Sear Pin	41	3023	Magazine Catch Pin
20	3002	Sear Plunger	42	122	Magazine Catch Spring

\*Must be fitted by skilled gunsmiths

# OTHER FAMOUS *J. C. Higgins* GUNS

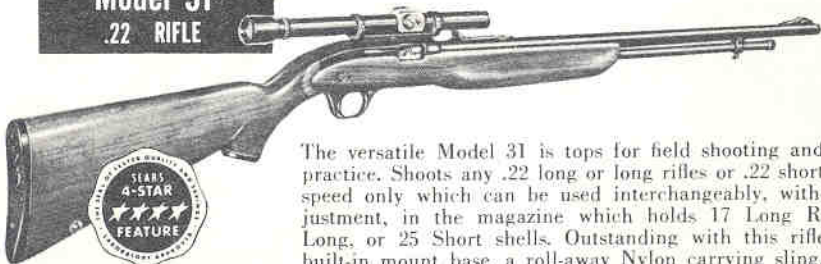
See these other J. C. Higgins models at your nearest Sears Store, or send a postcard for descriptive literature on all J. C. Higgins Guns to: Sears Roebuck and Company, Dept. 139, Chicago, Illinois. Ask for J. C. Higgins Circular No. 6495. Remember, these guns give you more quality and shooting pleasure for every dollar you invest!

## Model 33 PUMP-ACTION .22



The Model 33 is the slickest .22-caliber pump-action rifle ever made! It's accurate, rugged and dependable, in the field and on the range. Uses regular or high-speed ammunition in .22-caliber rimfire interchangeably and without adjustment. Magazine holds 17 Long Rifle, 20 Long, or 25 Short cartridges. Features beautiful American Walnut butt stock and forearm, built-in base for telescopic sight, quick, crisp, easy action, and ramp-style front sight. A 4-power telescopic sight specifically adapted to this gun is available at low cost.

## Model 31 .22 RIFLE



The versatile Model 31 is tops for field shooting and target practice. Shoots any .22 long or long rifles or .22 shorts, high speed only which can be used interchangeably, without adjustment, in the magazine which holds 17 Long Rifle, 20 Long, or 25 Short shells. Outstanding with this rifle are a built-in mount base, a roll-away Nylon carrying sling, and a ramp-style front sight. A 4 power telescopic sight is available which is specifically adaptable to Model 31.

Parts List No. 990-98

Printed in U.S.A.

J. C. Higgins Guns are sold **ONLY** by Sears, Roebuck and Co.  
and Simpsons-Sears Limited